

HARTZELL PROPELLER INC.
SERVICE BULLETIN
HC-SB-61-388
Propeller - 835-39() Spinner Assembly

1. Planning Information

A. Effectivity

- (1) Hartzell Propeller Inc. steel hub turbine propeller models HC-B3TF-7A with the 835-39() spinner assembly installed are affected by this Service Bulletin.
- (2) Hartzell Propeller Inc. 835-39() spinner assemblies, C-3624() and D-5771() spinner domes in inventory/stock are affected by this Service Bulletin.
- (3) Hartzell Propeller Inc. spinner domes that have been permanently engraved with either "D-5771" or "SB388" on the inside of the dome are not affected by this Service Bulletin.

WARNING: DO NOT USE OBSOLETE OR OUTDATED INFORMATION. PERFORM ALL INSPECTIONS OR WORK IN ACCORDANCE WITH THE MOST RECENT REVISION OF THIS SERVICE BULLETIN. INFORMATION CONTAINED IN THIS SERVICE BULLETIN MAY BE SIGNIFICANTLY CHANGED FROM EARLIER REVISIONS. FAILURE TO COMPLY WITH THIS SERVICE BULLETIN OR THE USE OF OBSOLETE INFORMATION MAY CREATE AN UNSAFE CONDITION THAT MAY RESULT IN DEATH, SERIOUS BODILY INJURY, AND/OR SUBSTANTIAL PROPERTY DAMAGE. REFER TO THE SERVICE BULLETIN INDEX FOR THE MOST RECENT REVISION LEVEL OF THIS SERVICE BULLETIN.

B. Concurrent Requirements

- (1) Additional service documents may apply to the components/propellers affected by this Service Bulletin. Compliance with additional service documents may be necessary in conjunction with the completion of the Accomplishment Instructions in this Service Bulletin. Refer to the Hartzell Propeller Inc. website at www.hartzellprop.com for a cross-reference of service documents.

C. Reason

- (1) Hartzell Propeller Inc. has received reports of damage to spinner domes on affected propellers caused by interference between the counterweight/blade clamp hardware and the spinner dome.
- (2) Hartzell Propeller Inc. designed the D-5771() spinner dome to provide additional clearance between the counterweight/blade clamp hardware and the spinner dome on affected propellers.

HARTZELL PROPELLER INC.
SERVICE BULLETIN
HC-SB-61-388
Propeller - 835-39() Spinner Assembly

D. Description

- (1) This Service Bulletin provides Instructions for Continued Airworthiness (ICA).
- (2) This Service Bulletin provides instructions for inspecting spinner domes used with 835-39() spinner assemblies.
- (3) This Service Bulletin provides instructions for replacing the 835-39() spinner assembly on affected propellers.
- (4) Hartzell Propeller Inc. will provide the parts listed in the Material Information section at no cost to the operator if spinner replacement is required.
 - (a) Refer to the Appendix section of this Service Bulletin for additional information about the warranty program.

E. Compliance

- (1) For 835-39() spinner assemblies installed on an affected propeller:
 - (a) Within 500 flight hours or at the next annual inspection, not to exceed 12 months from the release date of this Service Bulletin, perform the "Spinner Dome Visual Inspection" in accordance with the Accomplishment Instructions section of this Service Bulletin.
- (2) For 835-39() spinner assemblies, C-3624() and D-5771() spinner domes in inventory/stock:
 - (a) Before installing the spinner assembly/dome on a propeller, perform the "Spinner Dome Visual Inspection" in accordance with the Accomplishment Instructions section of this Service Bulletin.

F. Approval

- (1) FAA acceptance has been obtained on technical data in this publication that affects type design.

G. Manpower

- (1) No additional man-hours are required when spinner assembly replacement is performed at propeller overhaul.
- (2) If spinner replacement is required prior to propeller overhaul, contact Hartzell Propeller Inc. Product Support.

HARTZELL PROPELLER INC.
SERVICE BULLETIN
HC-SB-61-388
Propeller - 835-39() Spinner Assembly

H. Weight and Balance

- (1) Not changed

I. Electrical Load Data

- (1) Not changed

CAUTION: DO NOT USE OBSOLETE OR OUTDATED INFORMATION. PERFORM ALL INSPECTIONS OR WORK IN ACCORDANCE WITH THE MOST RECENT REVISION OF A DOCUMENT.

J. References

- (1) Hartzell Propeller Inc. Steel Hub Turbine Propeller Maintenance Manual 118F (61-10-18)
- (2) Hartzell Propeller Inc. Propeller Owner's Manual 139 (61-00-39)
- Available on the Hartzell Propeller Inc. website at www.hartzellprop.com
- (3) Hartzell Propeller Inc. Ice Protection System Manual 180 (30-61-80)
- Available on the Hartzell Propeller Inc. website at www.hartzellprop.com

K. Other Publications Affected

- (1) Hartzell Propeller Inc. Metal Spinner Maintenance Manual 127 (61-16-27) -
Available on the Hartzell Propeller Inc. website at www.hartzellprop.com

HARTZELL PROPELLER INC.
SERVICE BULLETIN
HC-SB-61-388
Propeller - 835-39() Spinner Assembly

2. Material Information

A. 835-39() Spinner Assembly Components

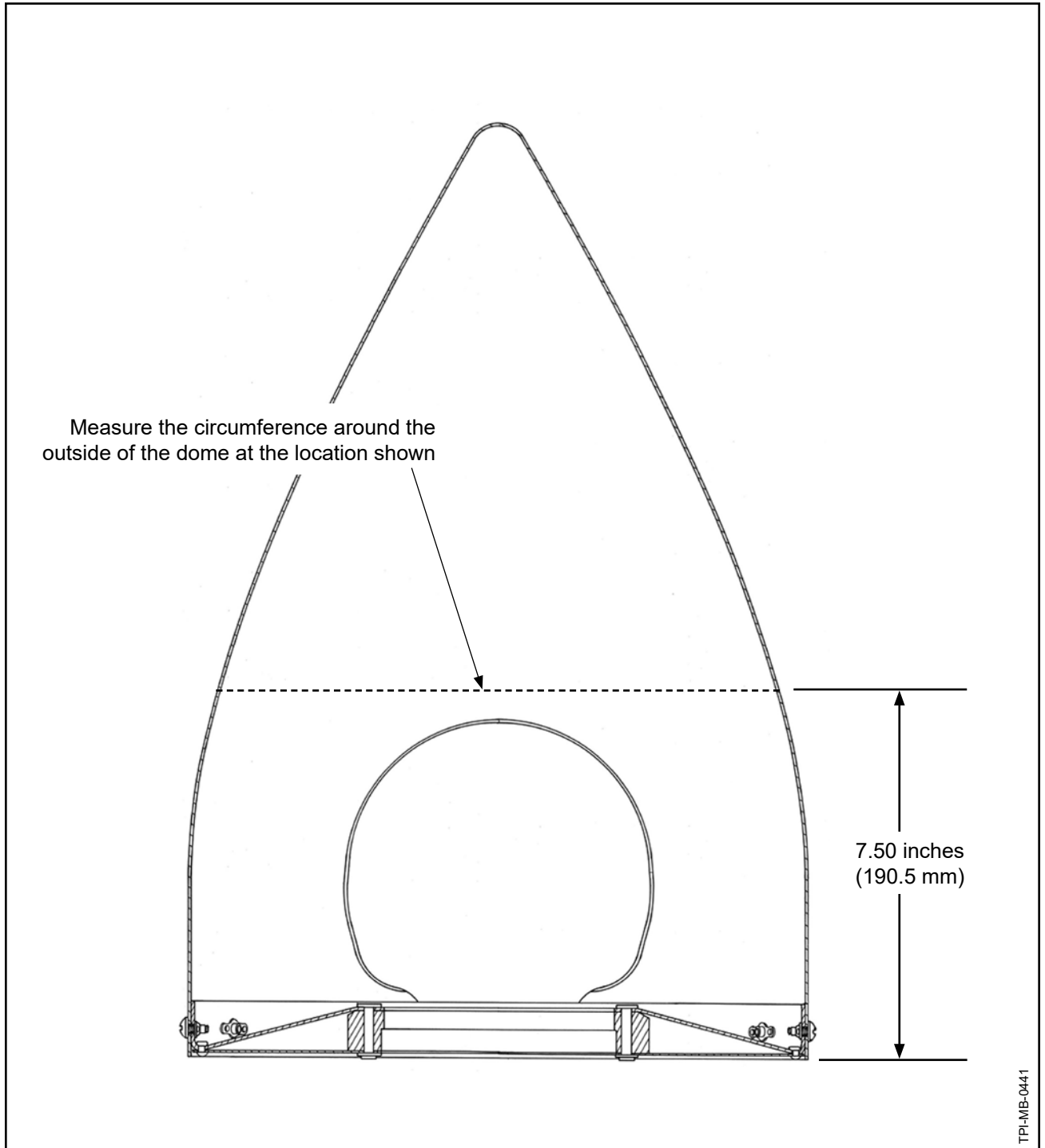
<u>Part Number</u>	<u>Description</u>	<u>Qty</u>
835-39()	Spinner Assembly (includes parts listed below)	1
• D-5771()	• Dome, 3-Blade (replaces C-3624 Dome)	1
• C-807-8()	• Bulkhead Unit Assembly	1
• A-1020	• Washer, Fiber	15
• B-3845-8	• Screw, 10-32, Truss Head	15

3. Accomplishment Instructions

A. Spinner Dome Visual Inspection

- (1) Visually examine the rolled edge around each blade cutout on the spinner dome.
 - (a) If there is damage that penetrates through the thickness of the rolled edge around the blade cutout:
 - 1 For a spinner dome installed on a propeller, replace the spinner assembly in accordance with the "Spinner Assembly Replacement" instructions in this section within 10 flight hours of the inspection.
 - 2 For spinner assemblies and spinner domes in inventory, retire/discard the spinner dome and the matched spinner bulkhead (if applicable).
 - (b) If there is no damage that penetrates through the thickness of the rolled edge around the blade cutout, perform the "Spinner Dome Circumference Inspection" in this section.

HARTZELL PROPELLER INC.
SERVICE BULLETIN
HC-SB-61-388
Propeller - 835-39() Spinner Assembly



Spinner Dome Circumference Inspection
Figure 1

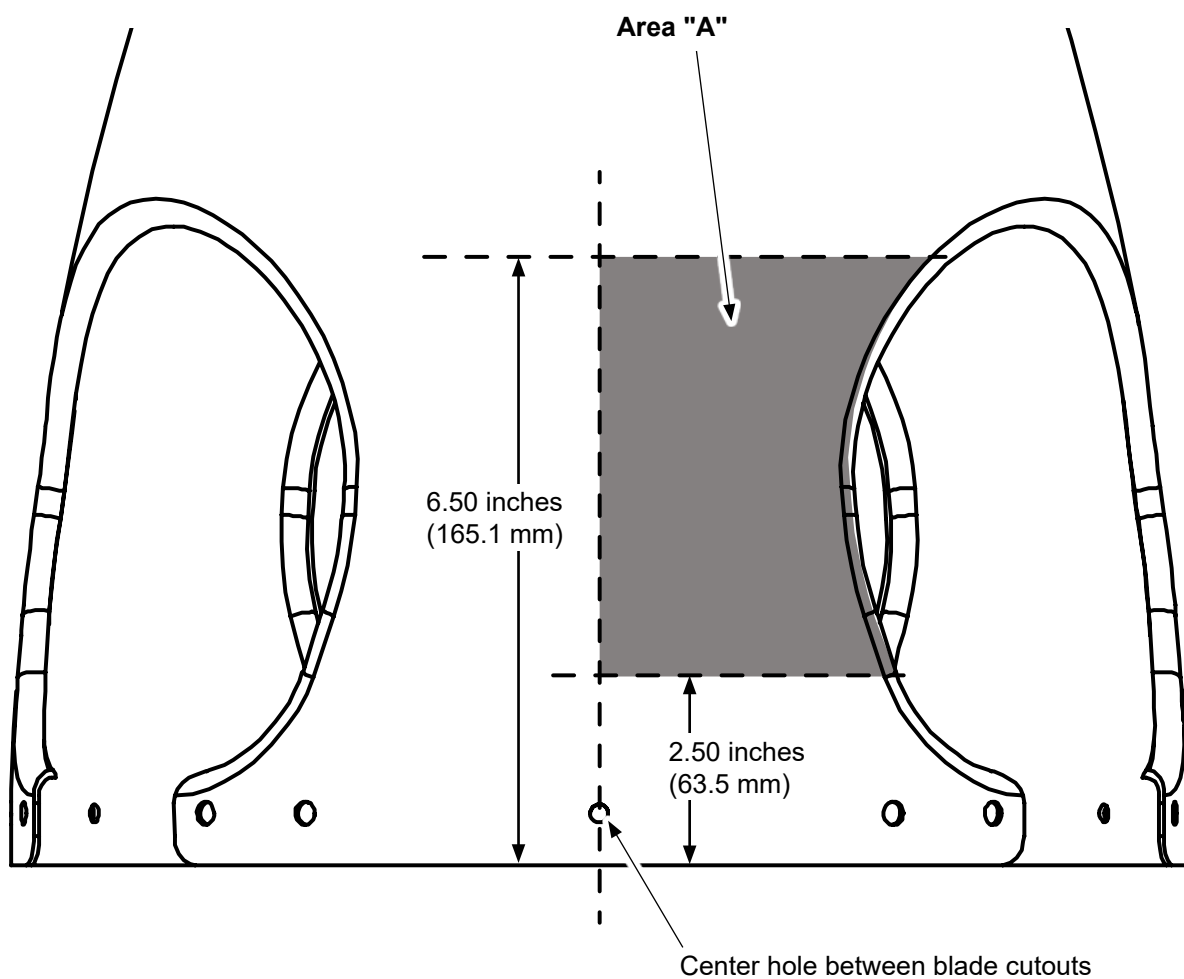
HARTZELL PROPELLER INC.
SERVICE BULLETIN
HC-SB-61-388
Propeller - 835-39() Spinner Assembly

B. Spinner Dome Circumference Inspection

- (1) Measure the circumference around the outside of the spinner dome at the location shown in Figure 1.
 - (a) If the circumference is 36.0 inches (914 mm) or larger, the spinner assembly can remain in service/inventory.
 - 1 For a spinner dome installed on a propeller:
 - a Remove the spinner dome in accordance with Hartzell Propeller Inc. Propeller Owner's Manual 139 (61-00-39).
 - b Using a vibratory engraving tool, mark "SB388" on the inside of the spinner dome at the midpoint between two of the blade cutouts.
 - c Install the spinner dome in accordance with Hartzell Propeller Inc. Propeller Owner's Manual 139 (61-00-39).
 - d Make an entry in the propeller logbook indicating compliance with this inspection as terminating action for this Service Bulletin.
 - e Continue to perform pre-flight inspections in accordance with Hartzell Propeller Inc. Propeller Owner's Manual 139 (61-00-39).
 - 2 For a spinner dome in inventory:
 - a Using a vibratory engraving tool, mark "SB388" on the inside of the spinner dome at the midpoint between two of the blade cutouts.
 - b Return the spinner dome to inventory.
 - (b) If the circumference is less than 36.0 inches (914 mm):
 - 1 For a spinner dome installed on a propeller, perform the "Spinner Dome Damage Inspection" in this section.
 - 2 For spinner assemblies and spinner domes in inventory, retire/discard the spinner dome and the matched spinner bulkhead (if applicable).

HARTZELL PROPELLER INC.
SERVICE BULLETIN
HC-SB-61-388
Propeller - 835-39() Spinner Assembly

NOTE: Area "A" must be inspected on the inside of the spinner dome. In the illustration, the location measurements for Area "A" are shown on the outside of the spinner dome for clarity only.



TP-HMB-0442

Area "A" Location
Figure 2

HARTZELL PROPELLER INC.
SERVICE BULLETIN
HC-SB-61-388
Propeller - 835-39() Spinner Assembly

C. Spinner Dome Damage Inspection

- (1) Remove the spinner dome in accordance with Hartzell Propeller Inc. Propeller Owner's Manual 139 (61-00-39).
- (2) Examine Area "A" on the inside surface of the spinner dome for damage at each blade cutout. Refer to Figure 2.

NOTE: Area "A" is on the counterweight-side of the blade cutout.

- (a) If there is no damage in Area "A", the spinner assembly can remain in service.
 - 1 Continue to perform pre-flight inspections in accordance with Hartzell Propeller Inc. Propeller Owner's Manual 139 (61-00-39).
 - 2 At the next overhaul or propeller removal, replace the spinner assembly in accordance with Hartzell Propeller Inc. Steel Hub Turbine Propeller Maintenance Manual 118F (61-10-18).
 - a If the propeller is equipped with a de-ice system supplied by Hartzell, refer to Hartzell Propeller Inc. Ice Protection System Manual 180 (30-61-80) for technical information about the applicable ice protection system.
 - b If the propeller is equipped with a de-ice system not supplied by Hartzell, refer to the applicable TC or STC holder's Instructions for Continued Airworthiness (ICA) for technical information about the ice protection system.
- (b) If there is any damage in Area "A", measure the depth of the damage and the thickness of the adjacent dome surface.
 - 1 If the depth of the damage is less than 50% of the thickness of the adjacent dome surface, the spinner can remain in service.
 - a Continue to perform pre-flight inspections in accordance with Hartzell Propeller Inc. Propeller Owner's Manual 139 (61-00-39).
 - b At the next overhaul or propeller removal, replace the spinner assembly in accordance with Hartzell Propeller Inc. Steel Hub Turbine Propeller Maintenance Manual 118F (61-10-18).
 - (1) If the propeller is equipped with a de-ice system supplied by Hartzell, refer to Hartzell Propeller Inc. Ice Protection System Manual 180 (30-61-80) for technical information about the applicable ice protection system.

HARTZELL PROPELLER INC.
SERVICE BULLETIN
HC-SB-61-388
Propeller - 835-39() Spinner Assembly

- (2) If the propeller is equipped with a de-ice system not supplied by Hartzell, refer to the applicable TC or STC holder's Instructions for Continued Airworthiness (ICA) for technical information about the ice protection system.
- 2 If the depth of the damage is greater than 50% of the thickness of the adjacent dome surface, replace the spinner assembly in accordance with the "Spinner Assembly Replacement" instructions in this section within 10 flight hours of the inspection.

D. Spinner Assembly Replacement

- (1) This procedure must be performed by a certified airframe and powerplant mechanic with the appropriate rating or by a certified propeller repair station with the appropriate rating.
- (2) Remove the propeller from the aircraft in accordance with Hartzell Propeller Inc. Propeller Owner's Manual 139 (61-00-39).
- (3) Remove the spinner bulkhead from the propeller in accordance with the following steps.
 - (a) For de-iced propellers:
 - 1 If the de-ice system was supplied by Hartzell, refer to Hartzell Propeller Inc. Ice Protection System Manual 180 (30-61-80) for technical information about the applicable ice protection system.
 - 2 If the de-ice system was not supplied by Hartzell, refer to the applicable TC or STC holder's Instructions for Continued Airworthiness (ICA) for technical information about the ice protection system.

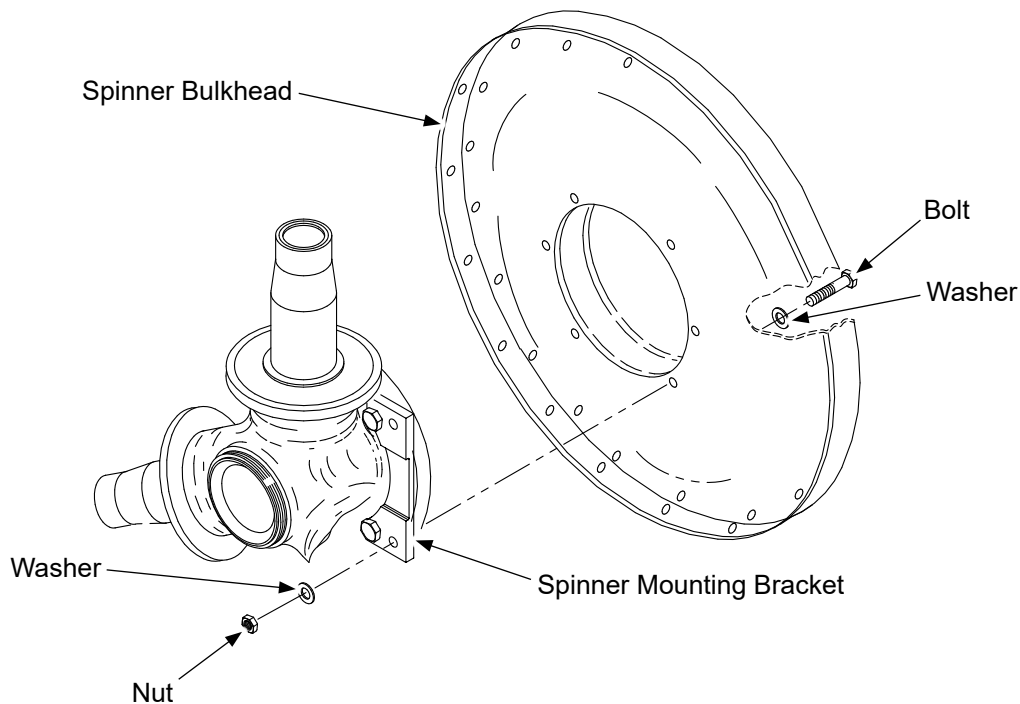
HARTZELL PROPELLER INC.
SERVICE BULLETIN
HC-SB-61-388
Propeller - 835-39() Spinner Assembly

- (b) For non-de-iced propellers, remove the nuts, washers, and bolts that attach the spinner bulkhead to the hub. Refer to Figure 3.

NOTE: It is not necessary to remove the spinner mounting bracket.

- 1 If spinner replacement is performed between overhauls, the nuts, washers, and bolts can be reused.
 - 2 If spinner replacement is performed at overhaul, discard the hardware and install new nuts, washers, and bolts.
- (c) Retire/discard the spinner dome and the spinner bulkhead.

NOTE: The illustration shows a non-de-iced propeller.



TPLMB-0446

Spinner Bulkhead Removal/Installation
Figure 3

HARTZELL PROPELLER INC.
SERVICE BULLETIN
HC-SB-61-388
Propeller - 835-39() Spinner Assembly

- (4) Install a new C-807-8() spinner bulkhead onto the propeller in accordance with the following steps.
 - (a) For de-iced propellers:
 - 1 If the propeller is equipped with a de-ice system supplied by Hartzell, refer to Hartzell Propeller Inc. Ice Protection System Manual 180 (30-61-80) for technical information about the applicable ice protection system.
 - 2 If the propeller is equipped with a de-ice system not supplied by Hartzell, refer to the applicable TC or STC holder's Instructions for Continued Airworthiness (ICA) for technical information about the ice protection system.
 - (b) For non-de-iced propellers, attach the spinner bulkhead to the hub in accordance with the following steps and Figure 3:
 - 1 If replacement is performed between overhauls, install the spinner bulkhead using the nuts, washers, and bolts removed at disassembly.
 - 2 If replacement is performed at overhaul, install the spinner bulkhead using the new nuts, washers, and bolts.
 - 3 Torque the nuts to 90-120 In-Lbs (10.2-13.5 N•m).
- (5) Install the propeller onto the aircraft in accordance with Hartzell Propeller Inc. Propeller Owner's Manual 139 (61-00-39).
- (6) Install a new D-5771() spinner dome in accordance with Hartzell Propeller Inc. Propeller Owner's Manual 139 (61-00-39).
- (7) Make an entry in the propeller logbook indicating the spinner assembly replacement as terminating action for this Service Bulletin.

HARTZELL PROPELLER INC.
SERVICE BULLETIN
HC-SB-61-388
Propeller - 835-39() Spinner Assembly

C. Recommended Service Facilities

- (1) Hartzell Propeller Inc. has a worldwide network of Recommended Service Facilities for overhaul and repair of our products.
- (2) Each service facility must meet standard FAA requirements and additional Hartzell Propeller requirements before being recommended by Hartzell Propeller Inc. Each service facility is audited by Hartzell Propeller Inc. to verify the continuation of the standards.
- (3) Hartzell Propeller Inc. recommends that you use one of these service facilities when having your propeller overhauled or repaired.
- (4) For a current list of Hartzell Propeller Inc. Recommended Service Facilities, contact Hartzell Propeller Inc. Product Support or refer to the Hartzell Propeller Inc. website at www.hartzellprop.com.

D. Contact Information

Hartzell Propeller Inc.
Attn.: Hartzell Propeller Inc. Product Support
One Propeller Place
Piqua, Ohio 45356-2634 USA
Phone: (001) 937.778.4379
Fax: (001) 937.778.4215
E-mail: techsupport@hartzellprop.com

HARTZELL PROPELLER INC.
SERVICE BULLETIN APPENDIX
HC-SBA-61-388
Propeller - 835-39() Spinner Assembly

1. Warranty Program Information

A. Eligibility

- (1) Hartzell Propeller Inc. steel hub turbine propeller models HC-B3TF-7A with the 835-39() spinner assembly are eligible for this warranty program.
- (2) Hartzell Propeller Inc. 835-39() spinner assemblies, C-3624() and D-5771() spinner domes in inventory/stock are eligible for this warranty program.

B. Spinner Assembly Replacement (Terminating Action)

(1) Parts

- (a) Hartzell Propeller Inc. will provide a new 835-39() spinner assembly free of charge when replacement is required by the Spinner Dome Inspection procedure in this Service Bulletin.

1 Refer to the Material Information section in this Service Bulletin for the complete list of parts that will be provided.

- (b) Complete and sign the Parts Order/Compliance Form in this Service Bulletin Appendix and send it to Hartzell Propeller Inc. for processing.

1 Hartzell Propeller Inc. will review the completed form and assign a warranty claim number to approved applicants.

(2) Labor

- (a) No additional man-hours are required when spinner assembly replacement is performed at overhaul.
- (b) If spinner replacement is required prior to propeller overhaul, contact Hartzell Propeller Inc. Product Support.

C. Contact Information

- (1) Fax, Email, or mail the Parts Order/Compliance Form to:

Hartzell Propeller Inc.
Attn: Service Bulletin 388 Coordinator
One Propeller Place
Piqua, OH 45356 USA
Phone: 937.778.4379
Fax: 937.778.4215 (Intl. 001.937.778.4215)
Email: techsupport@hartzellprop.com

Document No. HC-SB-61-388 Date of Issue: Aug 03/20 Revision: N/A Rev. Date: N/A

HARTZELL PROPELLER INC.
SERVICE BULLETIN APPENDIX
HC-SBA-61-388
Propeller - 835-39() Spinner Assembly

Parts Order/Compliance Form

Warranty Claim Number:		
Propeller Information:		
Propeller Model:	Propeller S/N:	
TSN (Time Since New):	TSO (Time Since Overhaul):	
Aircraft Information		
Aircraft Model:	Aircraft Registration #:	
Owner Information:		
Name:		
City:	State:	
Zip/Postal Code:	Country:	
E-mail:	Phone:	
Repair Facility/Shipping Information:		
Company:	Contact Name:	
Address:		
City:	State:	
Zip/Postal Code:	Country:	
E-mail:	Phone:	Fax:
Replacement Parts:		
Refer to the Material Information section of this Service Bulletin for a list of parts that will be provided.		
Signature:		
Repair Technician's Signature:	Date:	
Send this completed and signed form to Hartzell Propeller Inc. Product Support Department: Fax - (001) 937.778.4215 or E-mail - techsupport@hartzellprop.com		

DO NOT WRITE BELOW THIS LINE - FOR HARTZELL PROPELLER INC. USE ONLY

Authorized By:

Document No. HC-SB-61-388 Date of Issue: Aug 03/20 Revision: N/A Rev. Date: N/A