

HARTZELL PROPELLER INC.  
**SERVICE LETTER**  
TRANSMITTAL SHEET

**HC-SL-30-259**

**Propeller - Hartzell Propeller Inc. Mounted Ice Protection  
Components**

March 15, 2016

This page transmits a revision to Service Letter HC-SL-30-259.

- Original Issue, dated Aug 08/06
- Revision 1, dated Aug 29/06
- Revision 2, dated Sep 28/06
- Revision 3, dated Oct 24/06
- Revision 4, dated Nov 07/06
- Revision 5, dated Feb 16/07
- Revision 6, dated May 09/07
- Revision 7, dated Oct 24/07
- Revision 8, dated Feb 07/08
- Revision 9, dated May 08/08
- Revision 10, dated Jun 26/08
- Revision 11, dated Aug 13/08
- Revision 12, dated Sep 10/09
- Revision 13, dated Apr 28/11
- Revision 14, dated Mar 15/16

Changes are shown by a change bar in the left margin of the revised pages.

This revision is issued to change the following in the Service Letter:

- Introduce additional part numbers.

HARTZELL PROPELLER INC.  
**SERVICE LETTER**  
TRANSMITTAL SHEET

HC-SL-30-259

(This page is intentionally blank.)

HARTZELL PROPELLER INC.  
**SERVICE LETTER**

**HC-SL-30-259**

**Propeller - Hartzell Propeller Inc. Mounted Ice Protection  
Components**

1. Planning Information

A. Effectivity

- (1) Any Hartzell Propeller Inc. propeller with propeller mounted ice protection system components installed excluding de-ice boots and anti-icing boots is affected by this Service Letter.

**WARNING:** DO NOT USE OBSOLETE OR OUTDATED INFORMATION. PERFORM ALL INSPECTIONS OR WORK IN ACCORDANCE WITH THE MOST RECENT REVISION OF THIS SERVICE LETTER. INFORMATION CONTAINED IN THIS SERVICE LETTER MAY BE SIGNIFICANTLY CHANGED FROM EARLIER REVISIONS. USE OF OBSOLETE INFORMATION MAY CREATE AN UNSAFE CONDITION THAT MAY RESULT IN DEATH, SERIOUS BODILY INJURY, AND/OR SUBSTANTIAL PROPERTY DAMAGE. REFER TO THE SERVICE LETTER INDEX FOR THE MOST RECENT REVISION LEVEL OF THIS SERVICE LETTER.

B. Concurrent Requirements

- (1) Additional service documents may apply to the components/propellers affected by this Service Letter. Compliance with additional service documents may be necessary in conjunction with the completion of the Accomplishment Instructions in this Service Letter. Refer to the Hartzell Propeller Inc. website at [www.hartzellprop.com](http://www.hartzellprop.com) for a cross-reference of service documents.

C. Reason

- (1) An aircraft may have a propeller with ice protection system components installed, in addition to de-ice boots or anti-icing boots, that are supplied by various manufacturers.

**NOTE:** Refer to Hartzell Propeller Inc. Service Letter HC-SL-30-260 for de-ice boots and anti-icing boots.

- (2) Hartzell Propeller Inc. has developed propeller mounted ice protection system components for installation on Hartzell Propeller Inc. propellers.
- (3) Hartzell Propeller Inc. has obtained FAA approval for the installation of propeller mounted ice protection system components manufactured by Hartzell Propeller Inc. propellers.
- (4) Propeller mounted ice protection system components manufactured by Hartzell Propeller Inc. are approved to supersede components manufactured by another manufacturer as shown in Table 1 of this Service Letter.

Aug 08/06

Revision 14, dated Mar 15/16

© 2006, 2007, 2008, 2009, 2011, 2016 - Hartzell Propeller Inc.- All rights reserved

**HC-SL-30-259**

Page 1 of 10

**HARTZELL PROPELLER INC.**  
**SERVICE LETTER**

**HC-SL-30-259**

**Propeller - Hartzell Propeller Inc. Mounted Ice Protection  
Components**

D. Description

- (1) This Service Letter provides Instructions for Continued Airworthiness (ICA).
- (2) This Service Letter introduces propeller mounted ice protection system components developed and manufactured by Hartzell Propeller Inc.
- (3) Propeller mounted ice protection system components manufactured by Hartzell Propeller Inc. supersede components manufactured by another manufacturer as shown in Table 1 of this Service Letter.
- (4) Hartzell Propeller Inc. does not approve installation of other manufacturer's propeller mounted ice protection system components on Hartzell Propeller Inc. propellers unless these components are supplied by Hartzell Propeller Inc.

E. Approval

- (1) FAA acceptance has been obtained on technical data in this publication that affects type design.

F. Compliance

- (1) When replacement is required:
  - (a) Install propeller mounted ice protection system components manufactured by Hartzell Propeller Inc. Refer to Table 1 of this Service Letter or Hartzell Propeller Inc. Propeller Ice Protection System Manual 180 (30-61-80) for approved part numbers.
  - (b) Other manufacturer's propeller ice protection system components, if received from Hartzell Propeller Inc., may be installed in place of Hartzell Propeller Inc. ice protection system components.
  - (c) Subcomponents of an assembly listed in Table 1 in this Service Letter are approved and controlled in Hartzell Propeller Inc. Propeller Ice Protection System Manual 180 (30-61-80).

HARTZELL PROPELLER INC.  
**SERVICE LETTER**

**HC-SL-30-259**

**Propeller - Hartzell Propeller Inc. Mounted Ice Protection  
Components**

**CAUTION:** DO NOT USE OBSOLETE OR OUTDATED INFORMATION. PERFORM ALL INSPECTIONS OR WORK IN ACCORDANCE WITH THE MOST RECENT REVISION OF A DOCUMENT.

G. References

- (1) Hartzell Propeller Inc. Application Guide 159 (61-00-59) - Available on the Hartzell Propeller Inc. website at [www.hartzellprop.com](http://www.hartzellprop.com)
- (2) Hartzell Propeller Inc. Propeller Ice Protection System Manual 180 (30-61-80) - Available on the Hartzell Propeller Inc. website at [www.hartzellprop.com](http://www.hartzellprop.com)
- (3) Hartzell Propeller Inc. Service Letter HC-SL-30-260 - Available on the Hartzell Propeller Inc. website at [www.hartzellprop.com](http://www.hartzellprop.com)

H. Other Publications Affected

- (1) Hartzell Propeller Inc. Propeller Ice Protection System Manual 180 (30-61-80) - Available on the Hartzell Propeller Inc. website at [www.hartzellprop.com](http://www.hartzellprop.com)

2. Accomplishment Instructions

A. Hartzell Propeller Inc. Propeller Ice Protection System Manual 180 (30-61-80)

- (1) Hartzell Propeller Inc. Propeller Ice Protection System Manual 180 (30-61-80) provides a complete Illustrated Parts List for propeller mounted ice protection kits currently installed on Hartzell Propeller Inc. propellers. Refer to Hartzell Propeller Inc. Application Guide 159 (61-00-59) for approved kit part numbers.

B. Installation

- (1) Install Hartzell Propeller Inc. mounted ice protection system kits in accordance with Hartzell Propeller Inc. Propeller Ice Protection System Manual 180 (30-61-80).

C. Inspection, Repair, and Overhaul

- (1) The approved Instructions for Continued Airworthiness (ICA) for all propeller mounted ice protection system components supplied or manufactured by Hartzell Propeller Inc. are provided in the Hartzell Propeller Inc. Propeller Ice Protection System Manual 180 (30-61-80).

**NOTE:** Propeller mounted ice protection system components not supplied by Hartzell Propeller Inc. are controlled by the TC or STC holder's Instructions for Continued Airworthiness (ICA).

HARTZELL PROPELLER INC.  
**SERVICE LETTER**

**HC-SL-30-259**

**Propeller - Hartzell Propeller Inc. Mounted Ice Protection  
Components**

D. Installation Instruction for 4H1526-4 Slip Ring Assembly.

- (1) The 4H1526-4 slip ring assembly supersedes:
  - (a) The 7931-4E1526-1 when used with the B-3068 spacer
  - (b) The 7931-4E1526-1 when used with the 4E1689 spacer

**NOTE:** The supersedure of the 4H1526-1 with the B-3068 or 4E1689 spacer by the 4H1526-4 is specified in Hartzell Propeller Inc. Propeller Ice Protection System Manual 180 (30-61-80)

- (2) The spacer 4E1689 or B-3068 is not required when the 4H1526-4 slip ring assembly is installed. Refer to Figure 1 and Figure 2 for installation instructions.

# HARTZELL PROPELLER INC.

# SERVICE LETTER

## HC-SL-30-259

### Propeller - Hartzell Propeller Inc. Mounted Ice Protection Components

Hartzell Propeller Inc. P/N	Previous Hartzell Propeller Inc. P/N	Description	Previous Manufacturer	Superseded Manufacturer's P/N
104024-80S	7931-200-M80S	Hose Clamp	Goodrich	QS-200-M80S
104024-88S	7931-200-M88S	Hose Clamp	Goodrich	QS-200-M88S
1H1150-2	7931-1E1150-2	Terminal Strip	Goodrich	1E1150-2
1H1150-3	7931-1E1150-3	Terminal Strip	Goodrich	1E1150-3
1H1211	7931-1E1211	Spacer	Goodrich	1E1211
1H1297	7931-1E1297	Spacer	Goodrich	1E1297
2H1260	7931-2E1260	Insulating Bushing	Goodrich	2E1260
2H1291	7931-2E1291	Restrainer Strap	Goodrich	2E1291
2H1307	7931-2E1307	Wire Harness Cushion	Goodrich	2E1307
2H1365	7931-2E1365	Tapped Eyelet	Goodrich	2E1365
2H1377	7931-2E1377	Synchrophaser Target	Goodrich	2E1377
2H1852-2	7931-2E1852-2	Terminal Strip Spacer	Goodrich	2E1852-2
2H1852-3	7931-2E1852-3	Terminal Strip Spacer	Goodrich	2E1852-3
3H1271-1	7931-3E1271-1	Lead Strap Clip	Goodrich	3E1271-1
3H1271-2	7931-3E1271-2	Lead Strap Clip	Goodrich	3E1271-2
3H1452	7931-3E1452	Wire Harness	Goodrich	3E1452
3H1794	7931-3E1794	Rubber Spacer	Goodrich	3E1794
3H1848-1	7931-3E1848-1	Terminal Clamp Assy.	Goodrich	3E1848-1
3H1883-2	7931-3E1883-2	Terminal Clamp Assy.	Goodrich	3E1883-2
3H1951	7931-3E1951	Split Mounting Plate	Goodrich	3E1951
3H2050-2	7931-3E2050-2	Wire Harness - Kit	Goodrich	3E2050-2
3H2017-4	7931-3E2017-4	Wire Harness	Goodrich	3E2017-4
3H2017-8	7931-3E2017-8	Wire Harness	Goodrich	3E2017-8
3H2017-9	7931-3E2017-9	Wire Harness	Goodrich	3E2017-9
3H2017-10	7931-3E2017-10	Wire Harness	Goodrich	3E2017-10
3H2035	7931-3E2035	Wire Harness	Goodrich	3E2035
3H2050	7931-3E2050	Wire Harness	Goodrich	3E2050
3H2092-2	7931-3E2092-2	Wire Harness	Goodrich	3E2092-2
3H2092-2	7931-6887	Wire Harness	Goodrich	6887

**De-ice Component Cross Reference**  
**Table 1 (Page 1 of 4)**

**HARTZELL PROPELLER INC.**  
**SERVICE LETTER**

**HC-SL-30-259**

**Propeller - Hartzell Propeller Inc. Mounted Ice Protection  
Components**

Hartzell Propeller Inc. P/N	Previous Hartzell Propeller Inc. P/N	Description	Previous Manufacturer	Superseded Manufacturer's P/N
3H2092-3	7931-3E2092-3	Wire Harness	Goodrich	3E2092-3
3H2092-4	7931-3E2092-4	Wire Harness	Goodrich	3E2092-4
3H2092-6	7931-3E2092-6	Wire Harness	Goodrich	3E2092-6
3H2113	7931-3E2113	Wire Harness	Goodrich	3E2113
3H2182	7931-3E2182	Wire Harness	Goodrich	3E2182
3H2259	7931-3E2259	Sparkover Bracket	Goodrich	3E2259
3H2292-2	7931-3E2292-2	Wire Harness	Goodrich	3E2292-2
3H2356-1	7931-3E2356-1	Wire Harness	Goodrich	3E2356-1
3H2360-4	7931-3E2360-4	Wire Harness	Goodrich	3E2360-4
3H2360-5	7931-3E2360-5	Wire Harness	Goodrich	3E2360-5
3H2370-4	7931-3E2370-4	Wire Harness	Goodrich	3E2370-4
3H2370-4	7931-3E2475-1	Wire Harness	Goodrich	3E2475-1
3H2370-4	7931-3E2475-2	Wire Harness	Goodrich	3E2475-2
3H2383-4	7931-3E2383-4	Wire Harness	Goodrich	3E2383-4
3H2383-7	7931-3E2383-7	Wire Harness	Goodrich	3E2383-7
3H2493-1	7931-3E2493-1	Wire Harness	Goodrich	3E2493-1
3H2507-1	7931-3E2507-1	Wire Harness	Goodrich	3E2507-1
3H2526-1	7931-3E2526-1	Wire Harness	Goodrich	3E2526-1
3H2526-2	7931-3E2526-2	Wire Harness	Goodrich	3E2526-2
3H3158-2	7931-3E3158-2	Wire Harness	Goodrich	3E3158-2
4H1526-1	7931-4E1526-1	Slip Ring Assembly	Goodrich	4E1526-1
4H1526-4	7931-4E1526-1 with spacer B-3068	Slip Ring Assembly	Goodrich	4E1526-1 with spacer B-3068
4H1526-4	7931-4E1526-1 with spacer 4E1689	Slip Ring Assembly	Goodrich	4E1526-1 with spacer 4E1689
4H1526-4	7931-4E1526-4	Slip Ring Assembly	Goodrich	4E1526-4
4H1555-1	7931-4E1555-1	Slip Ring Assembly	Goodrich	4E1555-1

**De-ice Component Cross Reference  
Table 1 (Page 2 of 4)**



# HARTZELL PROPELLER INC.

# SERVICE LETTER

HC-SL-30-259

## Propeller - Hartzell Propeller Inc. Mounted Ice Protection Components

Hartzell Propeller Inc. P/N	Previous Hartzell Propeller Inc. P/N	Description	Previous Manufacturer	Superseded Manufacturer's P/N
4H1555-2	7931-4E1555-2	Slip Ring Assembly	Goodrich	4E1555-2
4H1555-3	7931-4E1555-3	Slip Ring Assembly	Goodrich	4E1555-3
4H1865-2	7931-4E1865-2	Slip Ring Assembly	Goodrich	4E1865-2
4H1889-2	7931-4E1889-2	Wire Harness	Goodrich	4E1889-2
4H1889-3	7931-4E1889-3	Wire Harness	Goodrich	4E1889-3
4H1889-4	7931-4E1889-4	Wire Harness	Goodrich	4E1889-4
4H1889-9	7931-4E1889-9	Wire Harness	Goodrich	4E1889-9
4H1889-10	7931-4E1889-10	Wire Harness	Goodrich	4E1889-10
4H1924-1	7931-4E1924-1	Slip Ring Assembly	Goodrich	4E1924-1
4H1924-3	7931-4E1924-3	Slip Ring Assembly	Goodrich	4E1924-3
4H1933-7	7931-4E1933-7	Slip Ring Assembly	Goodrich	4E1933-7
4H1964-2	7931-4E1964-2	Slip Ring Assembly	Goodrich	4E1964-2
4H1964-3	7931-4E1964-3	Slip Ring Assembly	Goodrich	4E1964-3
4H1964-4	7931-4E1964-4	Slip Ring Assembly	Goodrich	4E1964-4
4H1967-1	7931-4E1967-1	Wire Harness	Goodrich	4E1967-1
4H1967-3	7931-4E1967-3	Wire Harness	Goodrich	4E1967-3
4H1967-4	7931-4E1967-4	Wire Harness	Goodrich	4E1967-4
4H1988-1	7931-4E1988-1	Slip Ring Assembly	Goodrich	4E1988-1
4H2235-3	7931-4E2235-3	Wire Harness	Goodrich	4E2235-3
4H2267-1	7931-4E2267-1	Slip Ring Assembly	Goodrich	4E2267-1
4H2267-2	7931-4E2267-2	Slip Ring Assembly	Goodrich	4E2267-2
4H2350-1	7931-4E2350-1	Slip Ring Assembly	Goodrich	4E2350-1
4H2369-1	7931-4E2369-1	Wire Harness	Goodrich	4E2369-1
4H2369-4	7931-4E2369-4	Wire Harness	Goodrich	4E2369-4
4H2369-5	7931-4E2369-5	Wire Harness	Goodrich	4E2369-5
4H2369-6	7931-4E2369-6	Wire Harness	Goodrich	4E2369-6
4H2377-1	7931-4E2377-1	Slip Ring Assembly	Goodrich	4E2377-1
4H2422	7931-4E2422	Slip Ring Assembly	Goodrich	4E2422
4H2442-1	7931-4E2442-1	Slip Ring Assembly	Goodrich	4E2442-1

**De-ice Component Cross Reference  
Table 1 (Page 3 of 4)**

**HARTZELL PROPELLER INC.**  
**SERVICE LETTER**

**HC-SL-30-259**

**Propeller - Hartzell Propeller Inc. Mounted Ice Protection  
Components**

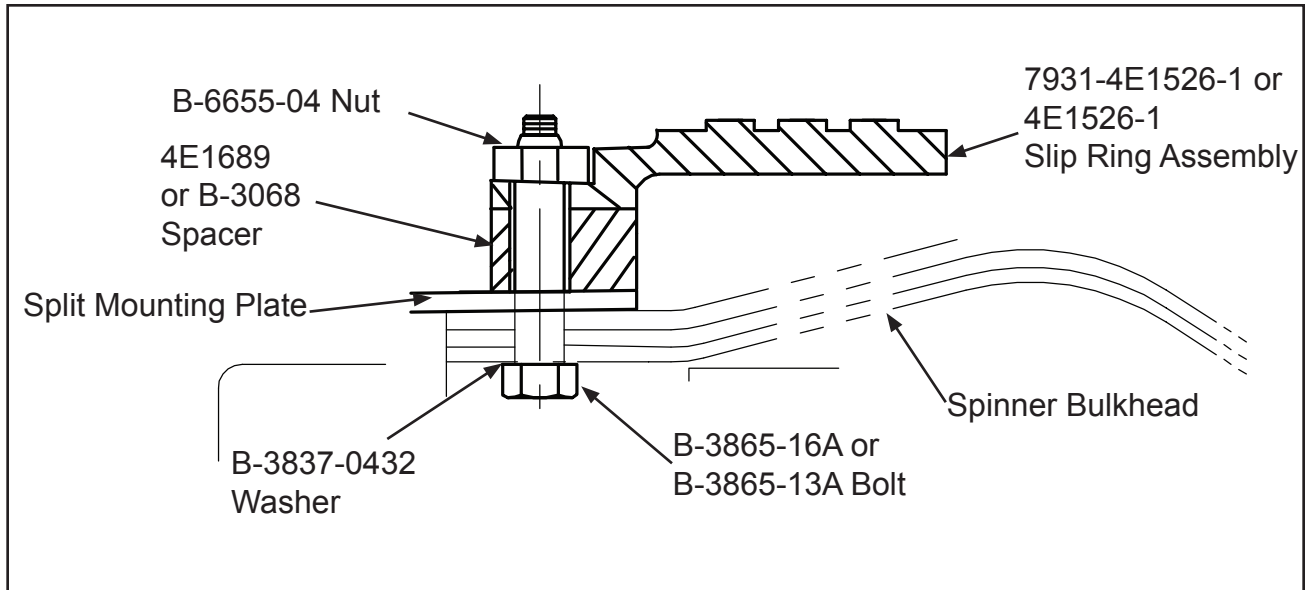
Hartzell Propeller Inc. P/N	Previous Hartzell Propeller Inc. P/N	Description	Previous Manufacturer	Superseded Manufacturer's P/N
4H2444-1	7931-4E2444-1	Slip Ring Assembly	Goodrich	4E2444-1
4H2448-1	7931-4E2448-1	Slip Ring Assembly	Goodrich	4E2448-1
4H2459-2	7931-4E2459-2	Slip Ring Assembly	Goodrich	4E2459-2
4H2511	7931-4E2511	Slip Ring Assembly	Goodrich	4E2511
4H2551-1	7931-4E2551-1	Slip Ring Assembly	Goodrich	4E2551-1
4H2661-1	7931-4E2661-1	Slip Ring Assembly	Goodrich	4E2661-1
4H2661-4	7931-4E2661-4	Slip Ring Assembly	Goodrich	4E2661-4
4H2662-1	7931-4E2662-1	Slip Ring Assembly	Goodrich	4E2662-1
4H2674-1	7931-4E2674-1	Slip Ring Assembly	Goodrich	4E2674-1
4H2674-2	7931-4E2674-2	Slip Ring Assembly	Goodrich	4E2674-2
4H2714-1	7931-4E2714-1	Slip Ring Assembly	Goodrich	4E2714-1
4H2811-2	7931-4E2811-2	Slip Ring Assembly	Goodrich	4E2811-2
4H2863	7931-4E2863	Slip Ring Assembly	Goodrich	4E2863
4H3000-1	7931-4E3000-1	Slip Ring Assembly	Goodrich	4E3000-1
4H3008-1	7931-4E3008-1	Slip Ring Assembly	Goodrich	4E3008-1
4H3060-1	7931-4E3060-1	Slip Ring Assembly	Goodrich	4E3060-1
4H3062-1	7931-4E3062-1	Slip Ring Assembly	Goodrich	4E3062-1
4H3094-1	7931-4E3094-1	Slip Ring Assembly	Goodrich	4E3094-1
4H3099-1	7931-4E3099-1	Slip Ring Assembly	Goodrich	4E3099-1
4H3153	7931-4E3153	Split Mounting Plate	Goodrich	4E3153
4H3153	7931-4E1881	Split Mounting Plate	Goodrich	4E1881
4H3174	7931-4E3174	Split Mounting Plate	Goodrich	4E3174
4H3174	7931-4E2058	Split Mounting Plate	Goodrich	4E2058
4H3422-1	7931-4E3422-1	Slip Ring Assembly	Goodrich	4E3422-1
4H4015-1	7931-4E4015-1	Slip Ring Assembly	Goodrich	4E4015-1
4H4069-1	7931-4E4069-1	Slip Ring Assembly	Goodrich	4E4069-1
H6976-11		Wire Harness	Goodrich	6976-11

**De-ice Component Cross Reference  
Table 1 (Page 4 of 4)**

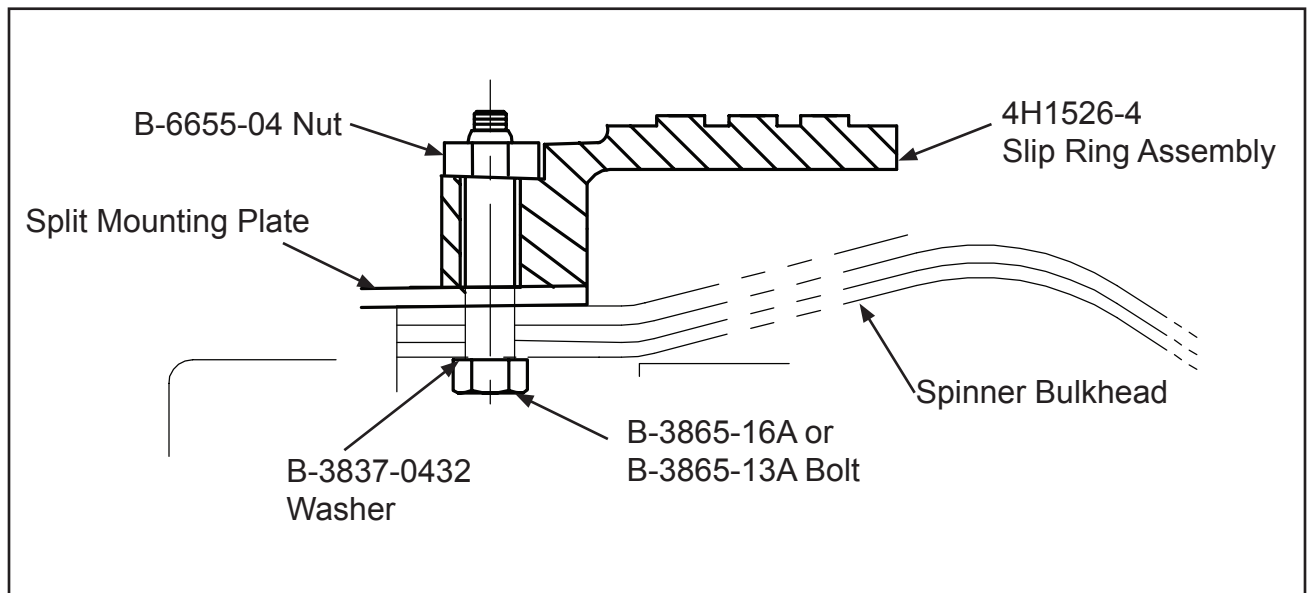
HARTZELL PROPELLER INC.  
**SERVICE LETTER**

**HC-SL-30-259**

**Propeller - Hartzell Propeller Inc. Mounted Ice Protection  
Components**



**Installation Using 7931-4E1526-1, or 4E1526-1 Slip Ring Assembly  
and 4E1689 or B-3068 Spacer  
Figure 1**



**Installation Using 4H1526-4 Slip ring Assembly  
Figure 2**

HARTZELL PROPELLER INC.  
**SERVICE LETTER**

HC-SL-30-259

**Propeller - Hartzell Propeller Inc. Mounted Ice Protection  
Components**

(This page is intentionally blank.)